

PS 50 - 500



Buffer storage tank

PS 50 - 500

Application

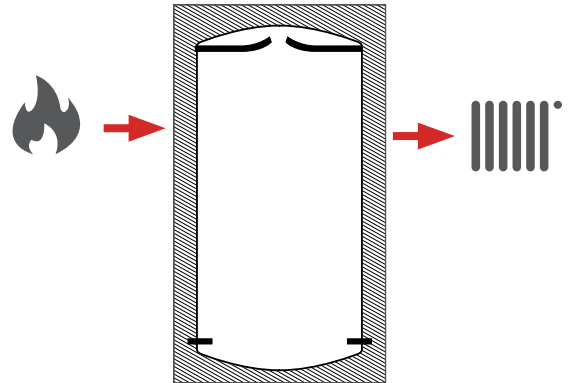
Buffer tank for heating applications

External corrosion protection

Foam encased

Heat insulation

50 mm PU rigid foam insulation with soft sleeve



Model overview PS 50 - 500

Type	Article no.	Volume	Height with insulation	Tilt height	Installation diameter	Weight (empty)	Energy efficiency class
Unit	[-]	[l]	[mm]	[mm]	[mm]	[kg]	[-]
PS 50	STD0050PS	51	640	789	460	25.4	B
PS 100	STD0100PS	103	1170	1258	460	35	B
PS 200	STD0200PS	214	1260	1400	610	60	B
PS 300	STD0300PS	301	1670	1778	610	75	C
PS 400	STD0400PS	428	1500	1700	760	82	C
PS 500	STD0500PS	499	1730	1890	760	105	C

Buffer storage tank

Technical specifications PS 50 - 500

Type	Unit	PS 50	PS 100	PS 200	PS 300	PS 400	PS 500
Article no.	[-]	STD0050PS	STD0100PS	STD0200PS	STD0300PS	STD0400PS	STD0500PS
Volume	[l]	51	103	214	301	428	499
Height with insulation	[mm]	640	1170	1260	1670	1500	1730
Diameter with insulation	[mm]	460	460	610	610	760	760
Tilt height	[mm]	789	1258	1400	1778	1700	1890
Installation diameter	[mm]	460	460	610	610	760	760
Weight (empty)	[kg]	25.4	35	60	75	82	105
Max. operating pressure heating side	[bar]	3	3	3	3	3	3
Test pressure heating side	[bar]	4.5	4.5	4.5	4.5	4.5	4.5
Max. operating temperature heating side	[°C]	95	95	95	95	95	95
Insulation thickness	[mm]	50	50	50	50	50	50
Max. installation length EHP	[mm]	400	400	500	500	650	650
Max. output EHP	[kW]	3	3	4.5	4.5	6	6
On-demand heat overhead	[kWh/d]	0.90	1.10	1.40	1.80	2.20	2.30
Holding losses	[W]	38	46	60	75	90	97
Energy efficiency class	[-]	B	B	B	C	C	C
Insulation material	[-]	PU rigid foam ($\lambda=0.024$ W/mK)					

Connections and dimensions PS 50 - 500

Connections		Unit	PS 50	PS 100	PS 200	PS 300	PS 400	PS 500
ENT	Ventilation	[mm]	640 1" IT	1170 1" IT	1260 1" IT	1670 1" IT	1500 1" IT	1730 1" IT
KV	Boiler supply	[mm]	460 1¼" IT	990 1¼" IT	1026 1½" IT	1436 1½" IT	1241 1½" IT	1471 1½" IT
F/TH	Sensor/Thermometer	[mm]	380 ½" IT	910 ½" IT	990 ½" IT	1400 ½" IT	1205 ½" IT	1435 ½" IT
F1	Sensor	[mm]	240 ½" IT	240 ½" IT	310 ½" IT	310 ½" IT	355 ½" IT	355 ½" IT
F2	Sensor pipe	[mm]	160 Ø 17.2 mm	160 Ø 17.2 mm	256 Ø 17.2 mm	256 Ø 17.2 mm	301 Ø 17.2 mm	301 Ø 17.2 mm
KR	Boiler return	[mm]	160 1¼" IT	160 1¼" IT	256 1½" IT	256 1½" IT	301 1½" IT	301 1½" IT
ENL	Draining	[mm]	130 ¾" IT	130 ¾" IT	90 ¾" IT	90 ¾" IT	130 ¾" IT	130 ¾" IT
EHP	Electric heating cartridge	[mm]	460 1½" IT	990 1½" IT	1026 1½" IT	1436 1½" IT	1241 1½" IT	1471 1½" IT

